

# PINNACLE GAS PRODUCTS, LLC

www.pinnaclegasproducts.com

info@pinnaclegasproducts.com

## HANNAY HOSE REELS

### Note to Designers and Engineers:

The reels shown in this catalog are the standard of the industry.

These models reflect various installation and performance requirements.

The high quality of our standard steel construction is only the beginning.

Hannay Reels offers any size configuration to fit a defined space, and we construct many models of reels with aluminum or stainless steel. Specifically, we use 5000 and 6000 Series aluminum and 304 stainless steel in the

manufacture of frames, discs, drums and internals as well as other structural components. This type of construction eliminates the need for maintenance repainting and part replacement due to rust or corrosion.

Please consult factory on any fuel handling questions. For a listing of accessories and components available on our standard reel models such as roller guides, switches, brakes and locks, etc., please refer to our Ordering & Accessory Guide H-0415-OA.

**S E R I E S**

# PB/DPB

## MANUAL OR POWER REWIND REELS

To handle single 1" through 1-1/2" I.D. hose.

- Series PB are explosion-proof reels.
- New DPB Series reel is direct drive eliminating the use of chain and sprockets.
- Choose gear-driven crank rewind, chain and sprocket drive powered by an electric, hydraulic or compressed air motor or direct drive hydraulic rewind motor.
- Crank rewind reels and direct drive reels supplied with pinion brake.
- Power rewind reels (chain & sprocket driven) supplied with a strap brake. Other brake and locking devices may be specified.
- Standard inlet is 90° ball bearing swivel joint with 1-1/2" female NPT threads.
- Standard outlet is a flanged riser with 1" female NPT threads. Standard inlet, outlet riser, and hub assembly are steel.
- Other sizes and/or threads can be furnished and must be specified.
- Rollers and roller mounting brackets are accessory items. Specify roller position.
- Pressures to 350 psi (24 bar).
- Temperatures from -40° F to +350° F (-40° C to +177° C).
- Consult factory for other pressures and temperatures.



**Series PB**  
Electric Rewind Shown

5446 W ROOSEVELT ST, SUITE # 107, PHOENIX, AZ 85043

Ph 877-395-3395

Ph 602-272-3395

Fx 602-272-3396

# PINNACLE GAS PRODUCTS, LLC

www.pinnaclegasproducts.com

info@pinnaclegasproducts.com

## HANNAY HOSE REELS

Model Number	Hose Capacity of Reel			Approx. Weight Crank Rewind		Reel Dimensions***									
	feet m.			lb. kg. See Note 4		Inches mm.									
	I.D. (in) I.D. (mm)	1" 25	1-1/2" 38	NET*	SHIP	A	B	D	E	F POWER	F DIRECT DRIVE HYD	G	H	X	Y
	O.D. (in) O.D. (mm)	1.5" 38	2.16" 55												
PB24-23-24		125 38	50 15	102 46	144 65	21 533	15.5 394	20.5 521	22.75 578	29.25 743	35.12 892	23.5 597	12.12 308	13 330	16.75 425
PB30-23-24		150 46	75 23	115 52	157 71	27.5 699	22 559	20.5 521	22.75 578	35.75 908	41.62 1057	23.5 597	12.12 308	19.5 495	16.75 425
PB24-25-26		150 46	75 23	110 50	152 69	21 533	15.5 394	25.5 648	24.75 629	29.25 743	35.12 892	27.88 708	15.5 394	13 330	21.75 552
PB28-25-26		200 61	100 30	123 56	165 75	25.5 648	20 508	25.5 648	24.75 629	33.75 857	39.62 1006	27.88 708	15.5 394	17.5 445	21.75 552
PB22-30-31		250 76	100 30	118 54	168 76	19 483	13.5 343	25.5 648	28.75 730	27.25 692	33.12 841	29.88 759	15.5 394	11 279	21.75 552
PB18-33-34		200 61	75 23	117 53	167 76	14.5 368	9.5 241	31.5 800	31.75 806	23.75 603	29.12 740	33.62 854	17.75 451	7 178	27.75 705

### Notes:

- Specifications subject to change.
- Upon request, reels can be supplied with drum lengths other than shown and with disc sizes in other diameters.
- Dimensions shown for reels up to and including 30-31 disc size reflect pressed frames. All others are channel frames.
- Weights shown in chart are for crank rewind models. ADD these amounts for power rewind models:

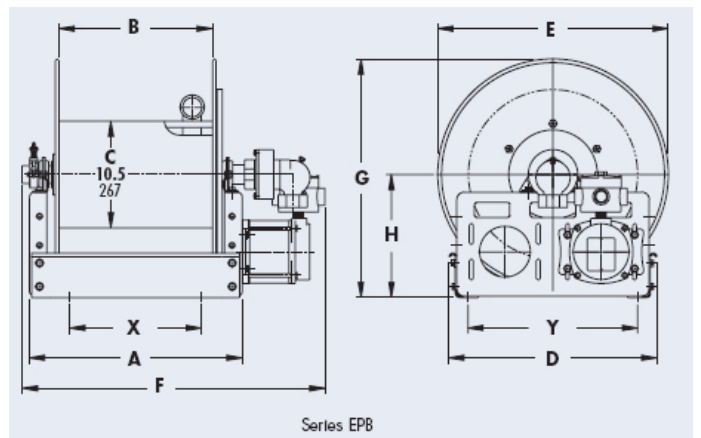
	Net (lbs.)	Ship (lbs.)	Net (kg.)	Ship (kg.)
Electric	40	40	18.1	18.1
Hydraulic	20	20	9.1	9.1
Air	20	20	9.1	9.1

- When ordering power rewind models, prefix model number with:
  - A = Air Rewind - Supplied with control valve and hose.
  - E = Explosion Proof Electric Rewind (1/2 HP) - Supplied with explosion proof switch, solenoid, and junction box.
  - HD = Hydraulic Rewind - Not supplied with control valve.
  - D = Direct Drive Hydraulic Rewind - Not supplied with control valve.

### 6. Be sure to check dimensions and weights prior to ordering.

**NOTICE:** A Flexible Connector must be used between the inlet pipe and the inlet swivel joint.

\*\*\*x,y indicate mounting holes.



5446 W ROOSEVELT ST, SUITE # 107, PHOENIX, AZ 85043

Ph 877-395-3395

Ph 602-272-3395

Fx 602-272-3396