

PINNACLE GAS PRODUCTS, LLC

www.pinnaclegasproducts.com

info@pinnaclegasproducts.com

GLOBE & ANGLE VALVES



Inlet & Outlet Connections	Squibb-Taylor		Fisher	
	Globe	Angle	Globe	Angle
1/2"	AL306P	AL307P	N301-04	N401-04
3/4"	AL308P	AL309P	N301-06	N401-06
1"	AL310P	AL311P	N301-08	N401-08
1 1/4"	AL312P	AL313P	N310-10	N410-10
1 1/2"	AL314P	AL315P	N310-12	N410-12
2"	AL316P	AL317P	N310-16	N410-16
2" ANSI Flange	AL316FP	AL317FP	-----	-----
3"	AL320P	AL321P	N310-24	N410-24
3" ANSI Flange	AL320FP	AL321FP	N310F-24	N410F-24

HOSE END VALVES



SQB-AL343
ME-800
SQB-AL416P
SQB-AL417P
SQB-L424

HOSE END VALVE, 1", MIN BLEED
HOSE END VALVE, 1", MIN BLEED
QUICK ACTING VALVE, 1/2"
QUICK ACTING VALVE, 3/4"
HOSE END VALVE, 3/4", MIN BLEED

HOSE END SWIVELS



SQB-AL107
SQB-AL109

ROTASEAL SWIVEL, 3/4"
ROTASEAL SWIVEL, 1"

5446 W ROOSEVELT ST, SUITE # 107, PHOENIX, AZ 85043

Ph 877-395-3395

Ph 602-272-3395

Fx 602-272-3396

PINNACLE GAS PRODUCTS, LLC

www.pinnaclegasproducts.com

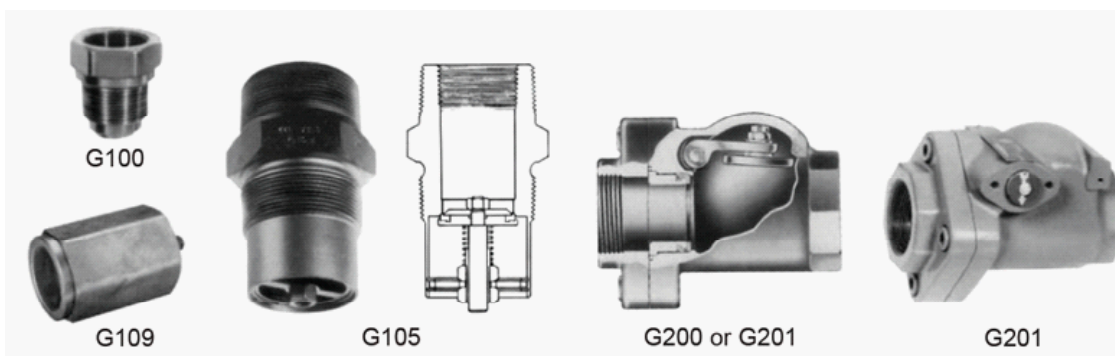
info@pinnaclegasproducts.com

HOSE END VALVES



Part Number With Lock	Part Number Without Lock	Inlet (FNPT)	Outlet (FNPT)	Bonnet & Stem Assembly with Lock	Bonnet & Stem Assembly Without Lock
LV440L	LV440	1/4"	1/4"	440-50L-Kit	440-50-Kit
LV440AL	LV440A	3/8"	3/8"	440-50L-Kit	440-50-Kit
LV440BL	LV440B	1/2"	1/4"	440-50L-Kit	440-50-Kit
LV440CL	LV440C	1/2"	1/2"	440-50L-Kit	440-50-Kit

BACK CHECK VALVES



Seat Construction	Container or Inlet Connection Inches	Outlet Connection Inches	Propane Flow Capacity At 10 Psig (0,69 bar) Differential Pressure	Type Number			
				Brass	Steel	Ductile Iron	
						No Flow Indicator	Flow Indicator
Metal-to-Metal	3/4 MNPT	3/4 FNPT	21	G100	---	---	---
	1-1/4 MNPT	1-1/4 FNPT	55	G101	---	---	---
	2 MNPT	2 FNPT	150	G102	G112	---	---
	2 FNPT	2 FNPT	150	G109	---	---	---
	3 MNPT	3 FNPT	250	---	G104	---	---
Soft Seat	1-1/4 FNPT	1-1/4 FNPT	190	---	---	G200-10	G201-10
	2 FNPT	2 FNPT	350	---	---	G200-16	G201-16
	2 MNPT	2 MNPT & 1-1/4 FNPT	137.5	---	G105	---	---
	3 FNPT	3 FNPT	800	---	---	G200-24	G201-24
	3 FNPT	2 MNPT	254	---	G106	---	---
	3 MNPT	3 MNPT & 2 MNPT	254	---	G107	---	---

5446 W ROOSEVELT ST, SUITE # 107, PHOENIX, AZ 85043

Ph 877-395-3395

Ph 602-272-3395

Fx 602-272-3396